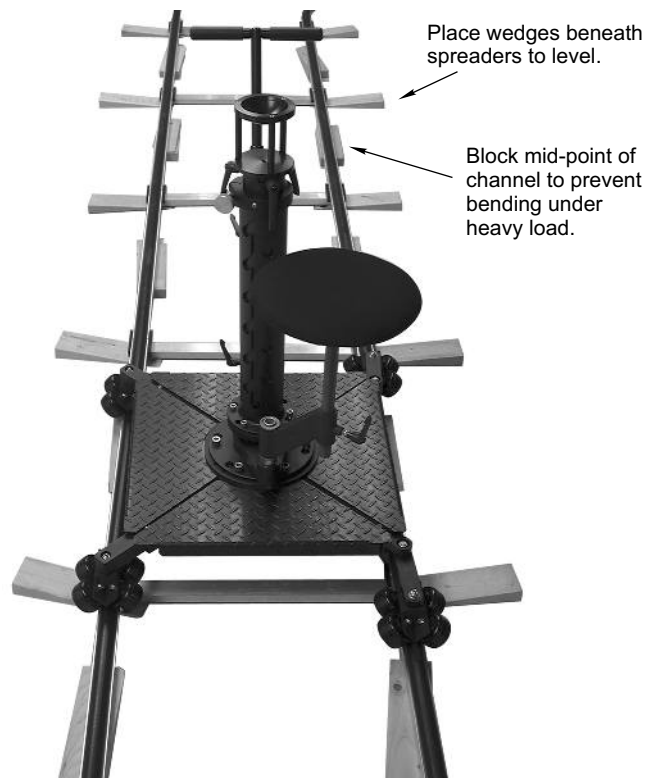


FLEXTRAK LEVELING SYSTEM

Now FlexTrak can be used in non-level environments. A frame made with our FlexTrak Channels and our new Channel Spreaders can be leveled with traditional dolly track wedges. Because FlexTrak has no seams, leveling does not need to be as precise as it does with traditional track, which greatly reduces set-up time. Simply place the end of each channel into the plastic receptacle on each spreader to create the frame, then position the FlexTrak into the channels.



For use with one piece of 40' FlexTrak:
10 Track Channels and 6 Spreaders Total 15' run \$380

For use with two pieces of 40' FlexTrak:
26 Track Channels and 14 Spreaders Total 39' run \$940

Price does not include cost of FlexTrak which is:
\$400 each 40' piece

You can purchase any combination of channels and spreaders. For every 3' of length to be leveled you will need 2 channels. A spreader is placed at each joint, plus one on each end, so you will need one more spreader than the total number of pairs of channel. For example, an 18' run needs 6 pairs of channel (12 pieces) and 7 spreaders.

Track Channel - \$20 per 3' piece
Channel Spreaders - \$30 each

PORTA-GLIDE DOLLY SLEDS \$1495

for use with heavier professional dollies - includes 2 sleds

"We've had no problems with bumps, even with the dolly sitting still and then rolling immediately. Overall, the construction is good, and they're not too heavy. I would give these wheels a Triple-A rating, for sure."

Dolly Grip Michael Landsburg
American Cinematographer Magazine - May, 2005



Solving the problem of flat spots on dolly wheels

"The smoothest dollying I have ever experienced. Even a 275mm lens sees no camera vibration."

Walt Andrus, Camera Operator

All dolly sleds using skateboard-style wheels develop flat spots on the wheels very quickly. This requires the dolly grip to roll the dolly back and forth repeatedly to reshape the wheels until the bump from the flat spot is no longer detected.

Our new Porta-Glide sleds have solved this problem because each of the 16 wheels has a different diameter. They are positioned on the wheel block so that all wheels are touching simultaneously, and, like the other systems, these wheels will flatten slightly. However, as they turn, instead of 16 flat spots hitting in unison, each of our wheels returns to its flat spot at a different time, making the spot undetectable.

Each of the 16 wheels is a different diameter so no two wheels can hit a flat spot at the same time.



Other Porta-Glide advantages:

Its unique design, with one stationary arm and 3 pivoting arms, lets the dolly float effortlessly on all traditional curved tracks. Unlike other sleds, the dolly remains centered during the curve.

Porta-Glide (set of 2 sleds) \$1595
Porta-Glide Case \$395



Porta-Glide Case

CASES

Case for 3-Leg Spider \$250
Case for 3-Leg Spider with extended legs \$350
Case for 4-Leg Spider, Track Wheels, Pushbar \$455
Case for DV Column & 100mm Top \$300
Case for Swivel Seat System \$300
Case for Low Shot Kit \$250
Case with wheels & fold out handle for FlexTrak \$259
Case with wheels for Standard Porta-Jib \$580
Case with wheels for Porta-Jib Traveller \$395
Case with wheels for Porta-Glide \$395
Tuffpak Case for Light Weight Tripod \$290



3-Leg Spider Dolly Case

3-Leg Spider Dolly Case

4-Leg Spider Dolly Case



Column Case

Seat Case

LWT Tuffpak Case



Case with Wheels for FlexTrak

Standard Porta-Jib Case

Traveller Custom Case

PORTA-JIB™ BY LOSMANDY

Manufactured by: Hollywood General Machining, Inc. 1033 N. Sycamore Avenue Los Angeles, California 90038
TEL: 323-462-2855 FAX: 323-462-2682 info@porta-jib.com http://www.porta-jib.com

THE ORIGINAL PORTABLE JIB ARM SYSTEM



STRONG PORTABLE LIGHTWEIGHT

PLUS... THE UNIQUE SPIDER DOLLY AND FLEXTRAK SYSTEM



Losmandy FlexTrak

Prices Effective April, 2008

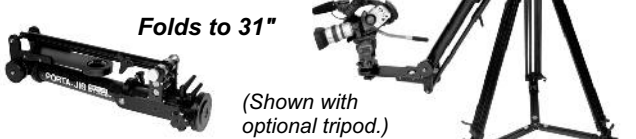
<http://www.porta-jib.com>

info@porta-jib.com

PORTA-JIB TRAVELLER \$2395

*Reach 38-55" (96.5-140cm) Boom 41-68" (104-173cm)
Wt. 29lbs (13.2kg) Ratio 1: .75 Pullback 11-18" (28cm-46cm)*

Designed for videographers and 16mm cinematographers who need to travel light. Weighing only 29 lbs (13.2kg), it supports 40 lbs (18kg) of camera and fluid head. So compact, it folds up with no loose parts and fits into a baby tripod case. Its unique telescopic design allows it to work in constricted areas and also unfold to create a dramatic 6 foot lift. And best of all, it uses the 100mm style tripod and head you already own. Base price includes Vector Balancing bar, soft case and 35 lbs (16kg) of counter weights.

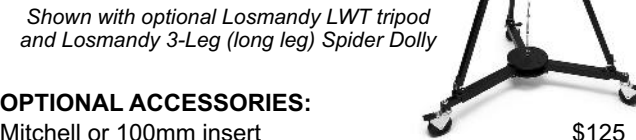


- OPTIONAL ACCESSORIES:**
- 150mm base Wt. 2 lbs (1kg) \$175
 - Fine-tuning weight Wt. 7 lbs (3.2kg) \$60
 - Custom Case Wt. 20 lbs (9kg) \$395

STANDARD PORTA-JIB \$2770

*Reach 57" (145cm) Boom 72" (183cm)
Wt. 60 lbs (29.5kg) Ratio 1:1.22 Pullback 19" (48cm)*

Designed to carry up to 100 lbs (45kg) of camera and fluid head weight, this is the most versatile of all lightweight jibs. Assembles in less than 5 minutes. No tools required. All parts are machined aluminum and stainless steel. Boom and pan lock included. Front inserts available for all standard fluid heads: 100mm, 150mm, Mitchell. Price includes Vector balance bar, 7 lbs (3.2kg) fine tuning weight, 50 lbs (23kg) of counter weights and choice of 150mm, Mitchell or Lightweight Tripod base. (Extension Kit below requires additional counter weight.)



- OPTIONAL ACCESSORIES:**
- Mitchell or 100mm insert \$125
 - 150mm insert \$200
 - 150mm, Mitchell, LWT, or DV base \$175
 - Bogen 3 Wheel Dolly \$395
 - 3-Leg Spider w/ extended legs and floor wheels \$1145
 - Porta-Jib Case Wt. 40 lbs (18kg) \$580

36" EXTENSION KIT \$500
Extends Reach to 92" (234cm), Pullback 35" (89cm)
Extends Boom to 131" (333cm), Ratio 1:2.22
Requires additional counter weight.

LIGHT WEIGHT TRIPOD \$400

Our new LWT provides sturdy, portable and economical support for either the Standard Porta-Jib or the Traveller. Rubber feet protect delicate floors and interface with the Losmandy 3-Leg Spider Dolly. *Requires one of the tops or adapter shown below to complete the Tripod.*

Height: 29"-46" (74-117cm)
Weight: 14 lbs (6.4kg)



Tuffpak Case for LWT \$290
LWT Adapter 100mm top Mitchell top 150mm top 12" Riser

- LWT Adapter Plate Wt. 3 lbs (1.4kg) \$175
For use with Porta-Jib Standard or Traveller.
- LWT 100mm top Wt. 3.5 lbs (1.6kg) \$200
- LWT Mitchell top Wt. 5.5 lbs (2.5kg) \$300
- LWT 150mm top Wt. 6 lbs (2.7kg) \$325
- LWT 12" Riser \$125

Losmandy FlexTrak \$400

Patent Pending
SEAMLESS FLEXIBLE
One 40' piece makes an 17' run
Using two pieces makes a 40' run

EASY TRANSPORT! QUICK SET-UP! EASY WRAP!

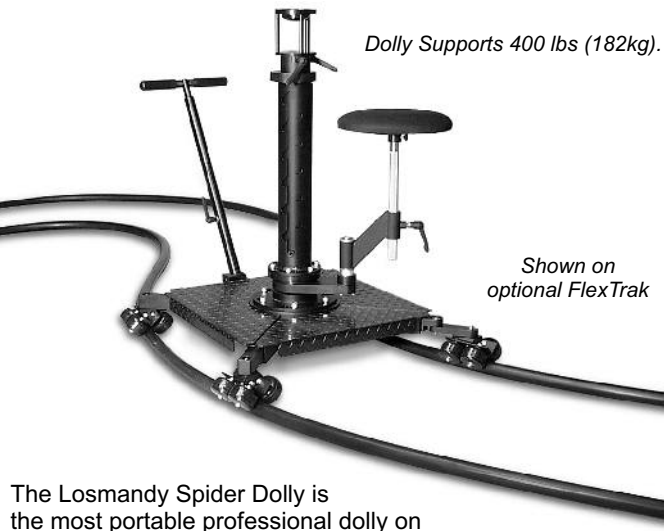
This amazing seamless dolly track can be configured in straight runs that can suddenly curve in any radius or direction. The basic unit is 40', which will loop to make one 17' run. 2 pieces side by side will create a 40' run. Each section rolls up into a 2' diameter bundle and weighs 40 lbs creating unprecedented portability for a track rigid enough to support our Spider Dolly and a camera operator, yet flexible enough to curve into a 90 degree turn with a 2' radius. Portability, fast set-up, easy reconfiguring, and freedom to create any desired curve distinguishes the FlexTrak from all other dolly track systems.

FLEXTRAK 40 ft. (12m) length Wt. 40 lbs (18kg) \$400

- FLEXTRAK ACCESSORIES:**
- Track Channel: 36" (.9m) U-shaped channel aligns track for perfectly straight runs. \$20
 - 1' x 5' rubber non-skid mat for slippery floors \$5
 - End-Spacer for controlling track ends \$20
 - Case for FlexTrak with Wheels and Fold-Out Handle \$259

4-LEG SPIDER DOLLY \$3490

4-Leg system includes: Track Wheels, DV Adjustable Column, 100mm DV top, Push Bar, Seat assembly, and platforms.



The Losmandy Spider Dolly is the most portable professional dolly on the market. The simple 3-Leg Spider (right) converts your tripod into an inexpensive, extremely portable, tracking dolly. Add a fourth leg, and you can further accessorize it, as pictured above, to be a fully rideable dolly with adjustable center column, foot platforms, swivel seat and pushbar. The system breaks down into three cases making it the first truly portable, rideable dolly.

Also, the Spider, when combined with floor wheels and the LWT Tripod, (pictured above, right) creates an easy and safe way to position heavy cameras and jib arms.



The 4-Leg Spider Dolly can become a quiet, rideable doorway dolly by adding Floor Wheels. 2 float for steering and have brakes. 2 lock directionally to remain parallel. They have soft rubber wheels with precision bearings to insure a smooth, noiseless operation. For the 3-Leg Spider, these wheels are often used in conjunction with a set of extended Spider Dolly legs to provide a larger, more stable footprint for supporting a jib arm.

3-LEG SPIDER DOLLY (with Track Wheels) \$995



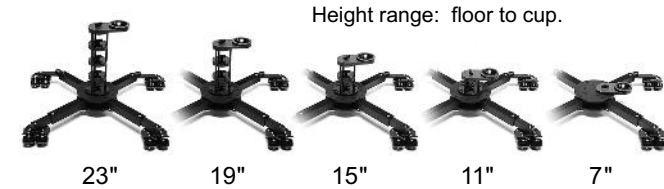
- 3-Leg Spider w/track wheels (for use with your tripod) \$995
- 3-Leg Spider w/floor wheels (for use with your tripod) \$1145
- 4-Leg Spider w/track wheels, DV Column, 100mm Top, Seat Mechanism, Single Pivot Seat, Pushbar & Set of 4 Platforms \$3490
- Set of 3 Cases for 4-Leg Spider System \$1055

The Spider Dolly can be used in either a 3-Leg or 4-Leg configuration.

SPIDER DOLLY ACCESSORIES

- DV Adjustable Column Adjusts from 24"- 41" (61cm-104cm) Requires one of the tops listed below \$895
- 100mm DV Top \$200
- 150mm DV Top \$325
- Mitchell DV Top \$300
- 360° Swivel Seat Mechanism \$375
- Single Pivot seat \$225
- Spider Push Bar Assembly \$250
- Set of 4 Platforms (only for 4-Leg configuration) \$250
- Low Shot Kit \$650
- Leg and track wheel (to convert 3-Leg to 4-Leg) \$300
- Track Wheels (each) multiply by 3 or 4 for set price \$150
- Floor Wheels (each) multiply by 3 or 4 for set price \$200

LOW SHOT KIT FOR SPIDER DOLLY \$650



Replaces the DV Column for low shot applications. The offset 100mm Top can be mounted directly to the top of the Spider. Allows 7", 11", 15", 19" or 23" height.

Case for Low Shot Kit (not included) \$250